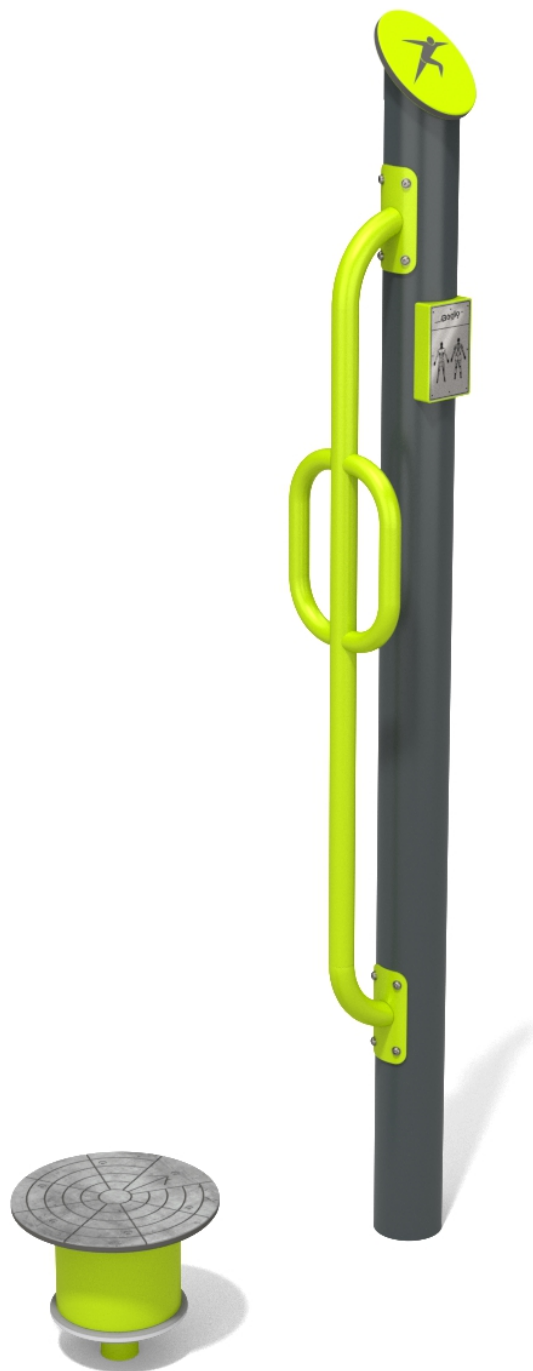


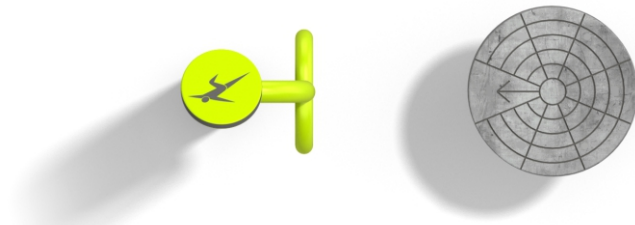


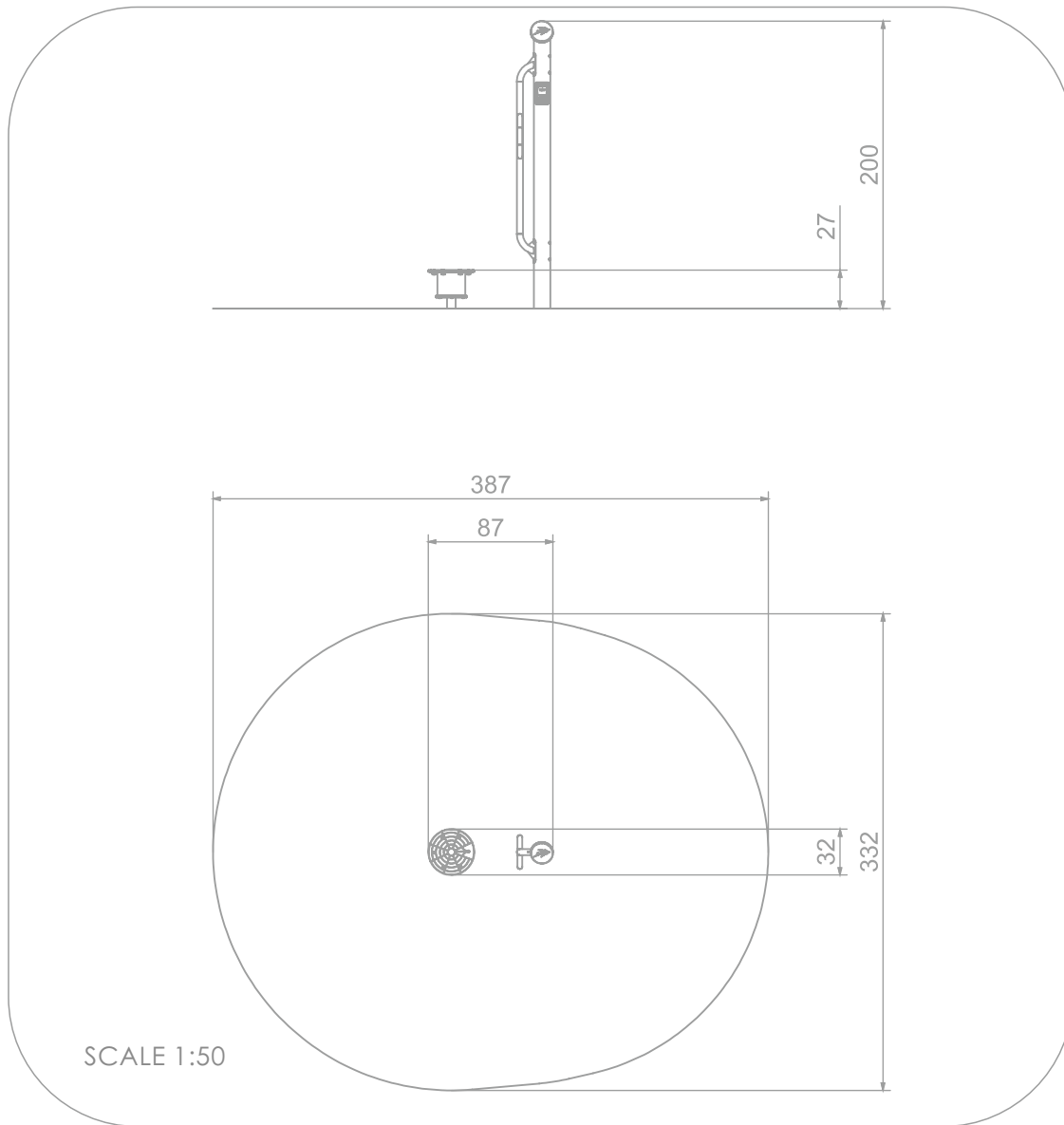
SOCIALIZING



INFORMATION ABOUT THE PRODUCT

Dimensions	87 x 32 cm
Safety zone	387 x 332 cm
Safety zone area	11 m ²
Overall height	200 cm
Free fall height	27 cm
Product complies with EN 1176-1:2017-12	YES
Availability of spare parts	YES





MATERIALS:

SOLID CONSTRUCTION MADE OF BLACK STEEL S235JR, CLEANED IN THE SANDBLASTING PROCESS

ANTI-SLIP PLATE MADE OF 13 MM HPL

PLATES MADE OF COLOURFUL TRIPLE LAYERED POLYETHYLENE HDPE 15 MM

PLATE MADE OF ANODIZED ALUMINIUM PLACED OF A HANDLE MADE OF POLYAMIDE

